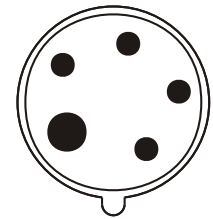
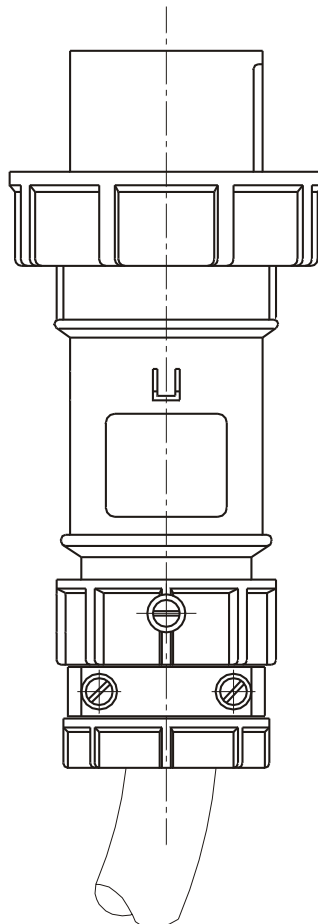
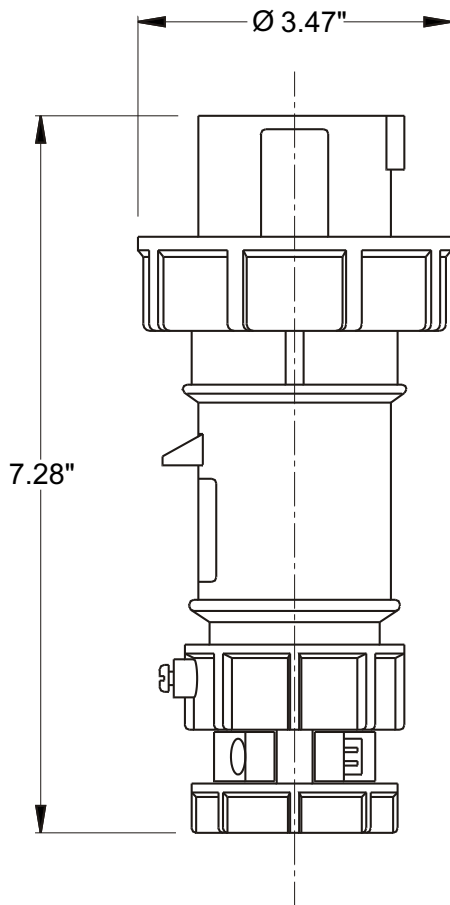


## PLUG, IN-LINE

|                      |  |
|----------------------|--|
| <b>Part No.</b>      | ME 520P5W  |
| <b>Description:</b>  | 20 Amp 3 Y 347/600Vac 4 Pole, 5 Wire Plug  |
| <b>Construction:</b> | Watertight IEC IP 67   |
| <b>Approvals:</b>    | UL Listed Standards 1682; 1686<br>CSA Certification to Spec. C22.2 No. 182.1<br>IEC 60309-1; IEC 60309-2 |

**IEC COLOR CODE:** Black

**GROUND SOCKET:** 7 Hour Position Mates with Female in 5 Hour Position.



Front View of Plug

Wire Range: #8 - #12 AWG  
Cord Range: .45" - .94"  
Threaded Cable Entry: 1" NPT

Drawing Not to Scale